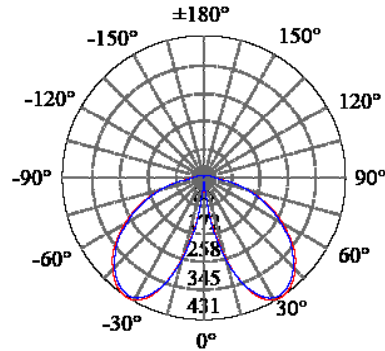


• **PHOTOMETRIC [Unit::cd]**
1x30W - 3000K



- Aluminium housing with corrosion resistant powdercoat
- 4mm thick PMMA diffuser
- CE/SAA/IP65/IK08/Class 1
- SAMSUNG SMD: 3000K/4000K/6000K/CRI≥80/90
- Input: 220-240Vac/WT:-20~+50° C
- Warranty: 3 years

- Height 2000mm
CODE - IP65 COLOR
GLRFFB20200 BLACK
GLRFFG20200 GREY

POWER: 1x20/30/40/60W

- Height 3000mm
CODE - IP65 COLOR
GLRFFB20300 BLACK
GLRFFG20300 GREY

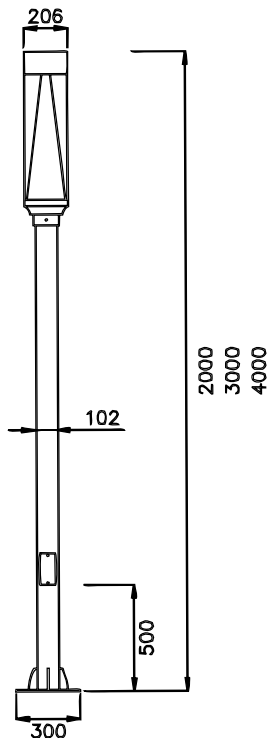
POWER: 1x20/30/40/60W

- Height 4000mm
CODE - IP65 COLOR
GLRFFB20400 BLACK
GLRFFG20400 GREY

POWER: 1x20/30/40/60W

• **PERFORMANCE**

- 1x20W - 36V - 500mA - 1080lm
- 1x30W - 36V - 750mA - 1628m
- 1x40W - 36V - 1050mA - 2160m
- 1x60W - 36V - 1650mA - 3402m



- **Mounting Accessroy**
4 x Φ20 Mounted Holes
4 x M16 - H400 Bolts

